



JOYSTICK COMMAND MODULE SWITCH Developed and created in Leonelli

What is it?

Leonelli bets on [#SmartRide](#), the XXIst century technology. REF. 124 is a command device for motorbikes and bicycles which allows the user to handle and interact with the vehicle or any other electronic device maintaining the hands on the handlebar.

Purpose

Our new REF. 124 integrates a JOYSTICK command and up to 2 extra push-buttons or 2 led tell-tale. It allows to interact with your vehicle or device. The design and ergonomics give the user an intuitive management and driving of the commands without losing focus on the ride, keeping safety as the first target. It can rain (waterproof), you can wear gloves, you will always be able to comfortable send orders to your vehicle or device.



CRUISE





Main Functions and Architecture

The 124 JOYSTICK integrates the following main blocks:

- Joystick 4-5 positions (up-down-left-right + push central option).
- 2 push buttons / led tell-tale (including Smart led options)
- Plastic clamp suitable for the main handlebar dimensions
- Harness completely customizable including the wire exit position (up-down / left-right)

Fixation Clamps

Fixation Screws

Harness
(up + left/right)

Model A

Model B

Harness
(down + left/right)

LED Tell-tale / Push
button A

Waterproof (between lever and
housing) thank to a silicone gasket
resistant to pressure water (Kärcher)

Joystick 4-5 ways command
Or
Up-down / left-right
command

LED Tell-tale Led / Push
button B



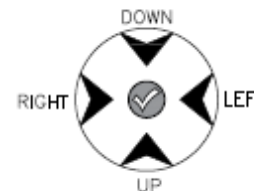
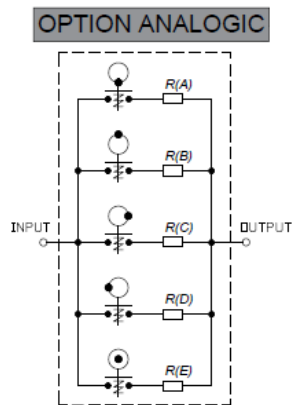


Technical Data

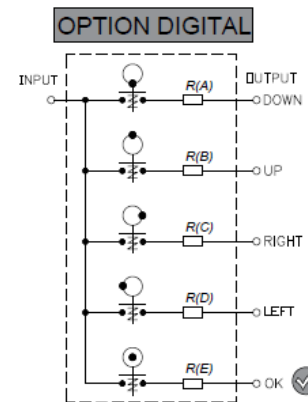
FEATURES
REED SENSOR (x4) / TACT SWITCH (x1) / PUSHBUTTON (up to 2, eleC. commutation)
LED TELL-TALE SIGN (up to 2)
SILICONE SEAL-COVER FOR MAX. ISOLATION
HIGH STRENGTH MATERIALS
SUITABLE FOR D22mm HANDLEBAR
WATERPROOF DEVICE (for all purposes) IP55
20 DEGREES OF MOVEMENT FOR EACH DIRECTION (up-down-left-right)

ELECTRIC CHARACTERISTICS	JOYSTICK	BUTTON	LED
Nominal tension	5-12 V.DC		
Test tension	7-13.5 V.DC		
Nominal intensity	50mA (Max.)	4A (Max)	10mA (Max)
Isolation resistance	500V.dc >= 1M Ohm		-----
Operating temperature	-20°C to +60 °C		

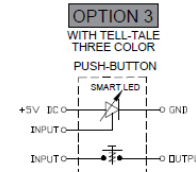
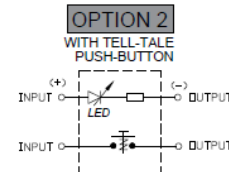
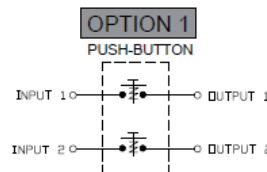
JOYSTICK BASIC ELECTRICAL CIRCUIT



- R(A)≠R(B)≠R(C)≠R(D)≠R(E)
R. MIN = 200 ohm 5V.
- 2 ó 4 PUSH-BUTTON DIRECTIONS
- ANALOGIC OUTPUT
- 2 WIRES



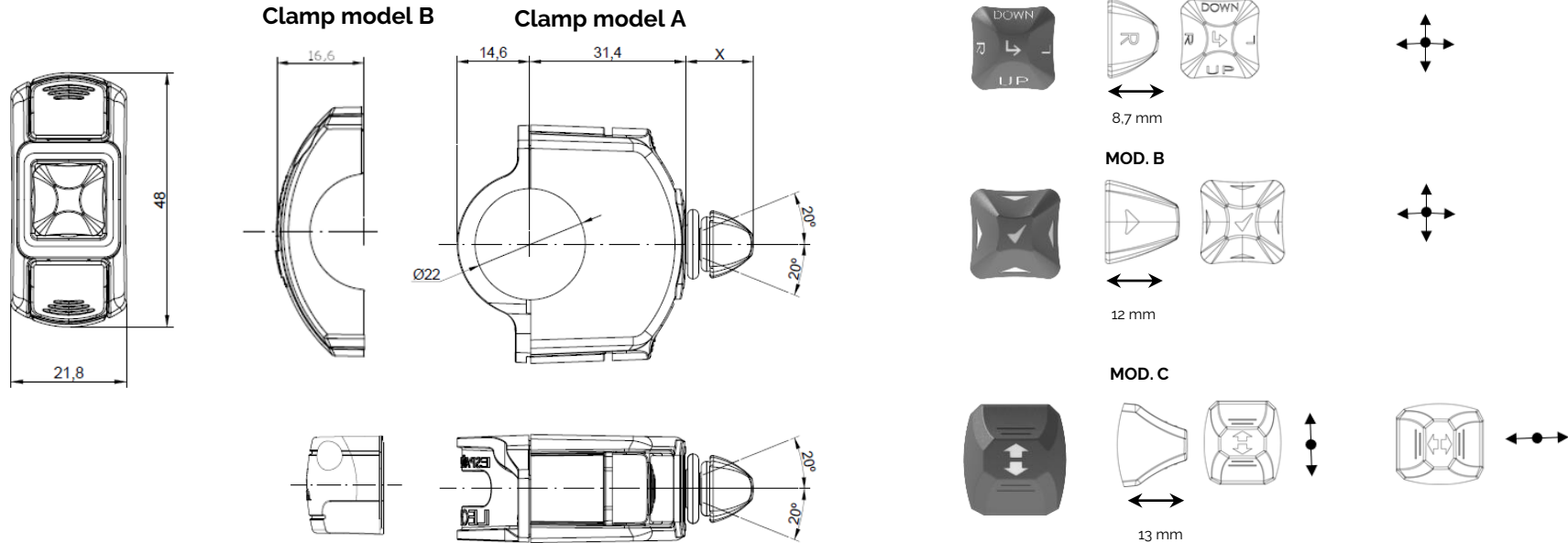
- R(A)≠R(B)≠R(C)≠R(D)≠R(E)
R. MIN = 200 ohm 5V.
- 2 ó 4 PUSH-BUTTON DIRECTIONS
- DIGITAL OUTPUT
- 3 / 5 / 6 WIRES





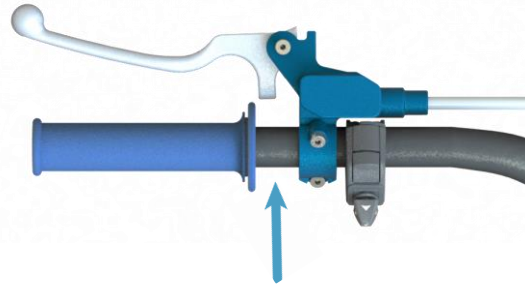
Main Dimensions

- Suitable for the most of the motorbike and bicycles handlebar dimensions
- Mini dimensions – Very small space required
- Designed to fit between grips and other elements (brake master cylinders, other commanders, etc)
- Several lever options (Mod A, B, C, or without lever), adaptable to any need or vehicle. Chose your own color. Also, possibility to create your own lever.



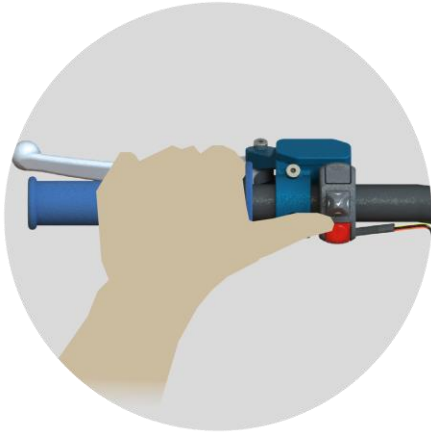


Use and ergonomy



Small dimensions, big free space

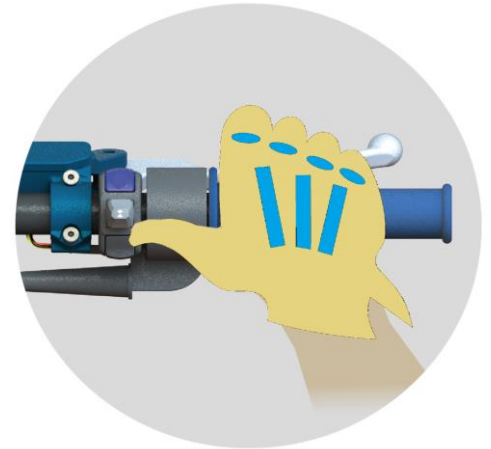
All buttons are easy to reach for the rider, even with gloves, or under rain



Comfortable: Not needed to release the handlebar to operate the device



Find your optimal position, up to 65°
Rotational adaptation





#Smart

#Small

#Safe



European Quality

THANK YOU