

**REF. 144  
COMMAND MODULE**





### COMMAND MODULE SWITCH

#### What is it?

REF. 144 is a command device for motorbikes and bikes which allows the user to handle and interact with the vehicle or any other electronic device maintaining the hands on the handlebar.

#### Purpose

REF. 144 integrates a **4 positions** command and up to 2 extra push-buttons or 2 led tell-tale. It allows to customize the central device to different purposes as lighting, indicator or map setting.

**The device can be fixed on the right or on the left of the handlebar and the lever can work horizontally and vertically.**

His small dimensions and the several customization options allows you to adapt it to any need or vehicle.





### Main Functions and Architecture

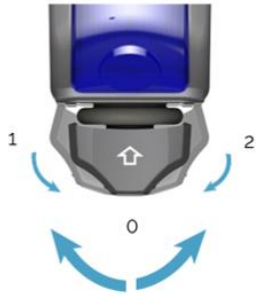
The 144 COMMAND integrates following main blocks:

- Switch device 2-3-4 positions (left-center-right + push option).
- 2 push buttons / led tell-tale
- Plastic Clamp suitable on the main handlebar dimensions
- Harness completely customizable position (up-down / left-right)





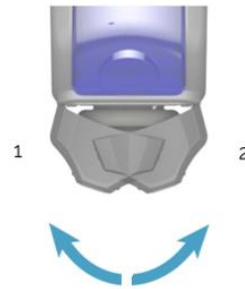
### Functions and Customization



Tilt with return



Push- button

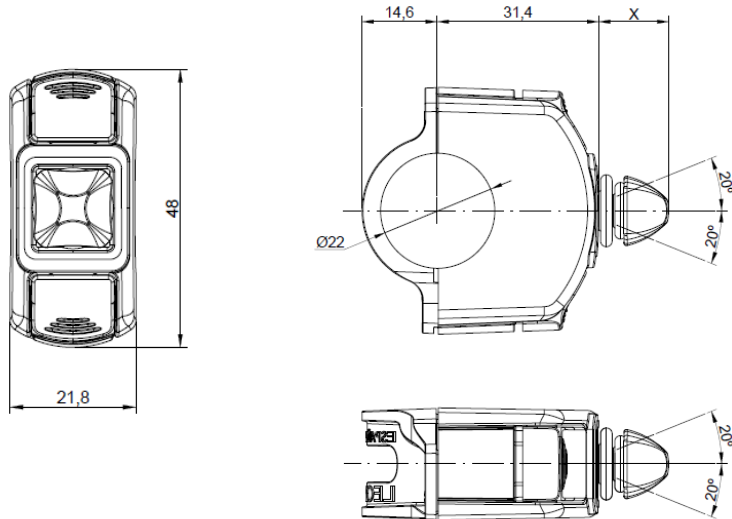


Fixed positions



### Dimensions

- Suitable for the most of the motorbike and bicycles handlebar dimensions
- Mini dimensions – Very small space required
- Designed to fit between grips and other elements (brake master cylinders, other commanders, etc)



All buttons are easy to reach for the rider, even with gloves, or under rain



The water tightness of the part (between the lever and the housing) is ensured by a silicone gasket resistant to pressure water (Kärcher)



## 2 POSITIONS WITH RETURN + PUSHBUTTON H-VERSION

- 2 positions with auto-return to the center (left-right)
- Central push function auto-return
- Horizontal and Vertical set-up



Central push



Position 0



Lateral Position





### VERSION 3 POSITIONS HORIZONTAL

- Three fixed positions (left-center-right)
- Horizontal and Vertical set-up



Pos. 2

Pos. 0

Pos. 1



### VERSION 3 POSITIONS HORIZONTAL

- 3 positions (left-center-right) \*
- Horizontal and Vertical set-up



**Position 0**  
(fixed)



**Side position**  
(auto-return)



\* left and right position could be **fixed** or **auto-return**



## 3 POSITIONS V-VERSION

- 3 positions (top-center-down)\*
- Horizontal and Vertical set-up

### CENTER



### UP (auto-return)



### DOWN (fixed)



\* UP and DOWN position could be **fixed** or **auto-return**





### 3 POSITIONS H-VERSION - MAP 1-0-2



- 3 fixed positions (left-center-right)
- Horizontal set-up
- Lower position: push-button "ABS" activation
- Upper position: "ABS" tell-tale indicator

### 2 POSITIONS H-VERSION - TRACTION CONTROL ON-OFF



- 2 fixed positions (left-right, no central position)
- Horizontal set-up
- Lower position: push-button "ABS" activation
- Upper position: "ABS" tell-tale indicator

**#Smart**

**#Small**

**#Safe**



European Quality

**THANK YOU**